

INSTALLATION INSTRUCTIONS



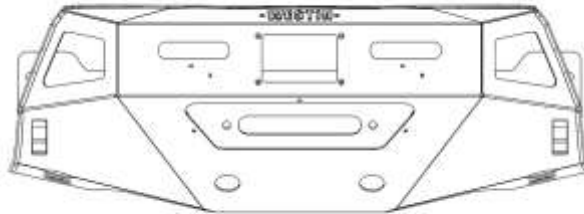
PRO-SERIES FRONT BUMPER

APPLICATION:
Nissan Frontier 2022-2023 (W/ Intelligent Cruise Control)
PART NUMBER:
58-411295

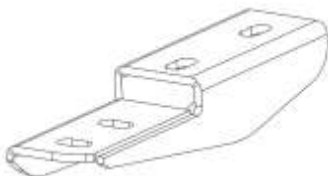
CONTENT			
ITEM	QUANTITY	DESCRIPTION	TOOLS NEEDED
1	1	FRONT BUMPER ASSEMBLY	10MM SOCKET
2	1	DRIVER SUPPORT BRACKET	10MM WRENCH
3	1	PASSENGER SUPPORT BRACKET	13MM SOCKET
4	1	ICC RELOCATOR BRACKET	13MM WRENCH
5	1	ICC MODULE SHIELD	19MM SOCKET
6	2	LED LIGHT BRACKET	19MM WRENCH
7	3	M6 HEX HEAD BOLT	RATCHET
8	6	M6 FLAT WASHER	TORQUE WRENCH
9	3	M6 SPLIT LOCK WASHER	ALLEN WRENCH
10	3	M6 HEX NUT	
11	4	M8 HEX HEAD BOLT	
12	4	M8 FLAT WASHER	
13	4	M8 SERRATED FLANGE HEX NUT	
14	4	M12X1.25 HEX HEAD BOLT	
15	12	M12 FLAT WASHER	
16	4	M12 SERRATED FLANGE HEX NUT	
17	4	M12X1.75 HEX HEAD BOLT	
18	4	M12 SPLIT LOCK WASHER	
19	4	M4 COUNTERSINK PHILLIPS HEAD SCREW	
20	4	M4 NYLON INSERT SERRATED FLANGE LOCKNUT	

ANTI-SEIZE LUBRICANT MUST BE USED ON ALL STAINLESS STEEL FASTENERS TO PREVENT THREAD DAMAGE AND GALLING

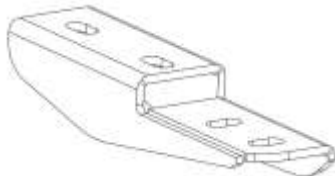
ITEM 1



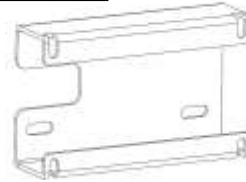
ITEM 2



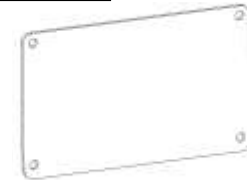
ITEM 3



ITEM 4



ITEM 5



ITEM 6



PROCEDURE

1. Remove contents from box, verify if all parts listed are present and free from damage.
Carefully read and understand all instructions before attempting installation.
Failure to identify damage before installation could lead to a rejection of any claim.
2. Starting on the bottom of the vehicle's front bumper, remove the plastic clips and OEM hardware. See **Figures 1 & 2** for reference.
3. Locate and remove the two plastic retaining clips and fasteners in the inner wheel well of the vehicle as shown in **Figure 3**.
Note: Remove the two plastic retaining clips then pull back the plastic trim to access the two fasteners shown.
4. Start to carefully pry on the retaining clips shown in **Figures 4 & 5** along the top of the fascia trim of the vehicle. **Note:** The plastic retainers need to be removed carefully in order to be able to reinstall the fascia trim.

Figure 1

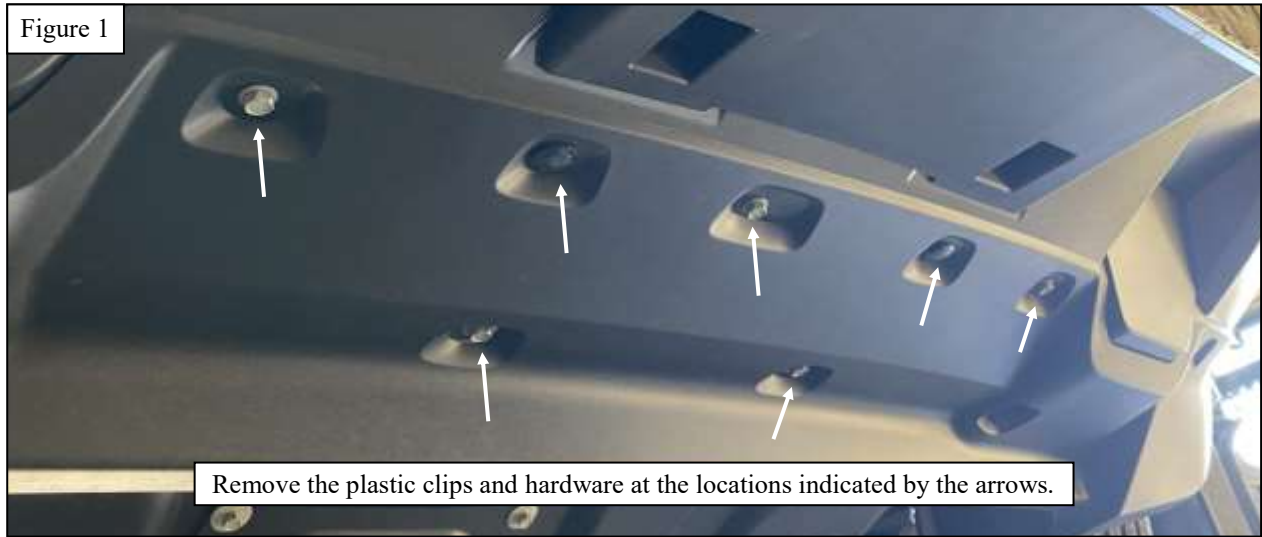


Figure 2



Figure 3

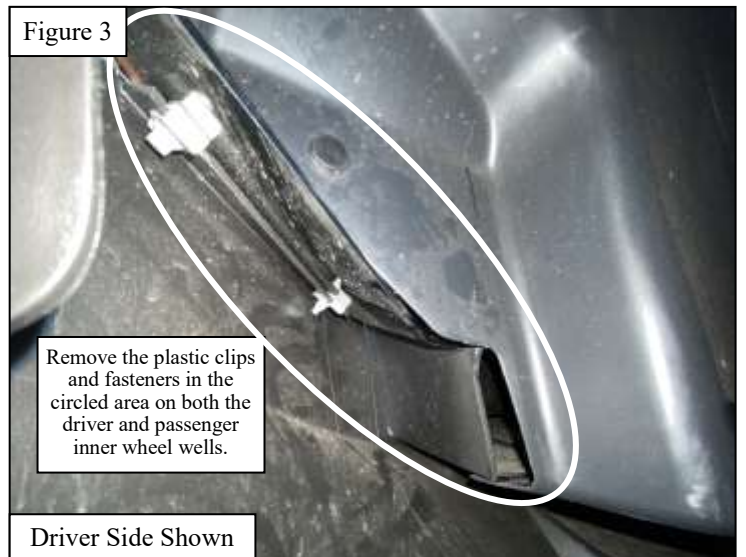
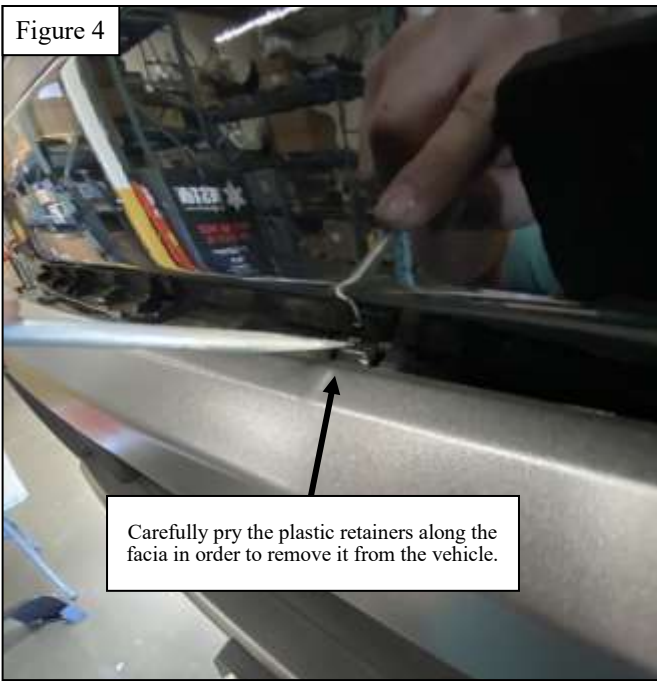


Figure 4



Carefully pry the plastic retainers along the fascia in order to remove it from the vehicle.

Figure 5



Carefully pry the plastic retainers all along the dotted line as previously noted.

5. Carefully remove the Intelligent Cruise Control Module by disconnecting the wiring harness clip and removing the 3 factory nuts shown in **Figure 6**. *Note: Be very careful not to drop the module as it is expensive to replace.*
6. Remove the Intelligent Cruise Control Module mounting bracket by removing the factory hardware. See **Figure 7** for reference.
7. Remove the OEM crash bar by removing the two factory bolts at the locations shown in **Figure 8** on both the driver and passenger side.

Figure 6



Remove OEM hardware at locations shown and unplug the module connector.

Figure 7



Remove OEM hardware at locations shown in order to remove the OEM mounting bracket.

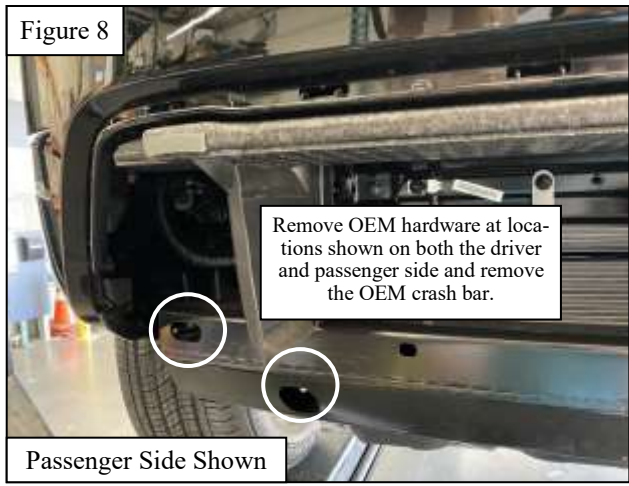


Figure 8

Remove OEM hardware at locations shown on both the driver and passenger side and remove the OEM crash bar.

Passenger Side Shown

8. If you are installing a winch or LED lights, install them at this time per the manufacture's installation instructions. See **Figures 9 & 10** for reference. **Note:** You may use the supplied LED Light Brackets and M8 hardware to mount LED lights, but it will depend on the LED lights being installed.
9. Locate the ICC Relocator Bracket (Item 4) and the supplied M6 hardware (Items 6-9) and mount the ICC module as shown in **Figure 11**. **Note:** It is important to mount the ICC Module center and parallel to the top and bottom edges of the relocation bracket.



Figure 9

Winch and winch fairlead (sold separately) are installed onto the bumper assembly prior to mounting the bumper to the vehicle.

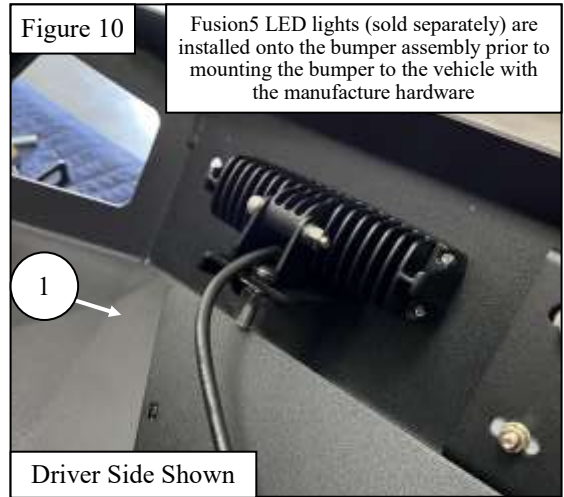


Figure 10

Fusion5 LED lights (sold separately) are installed onto the bumper assembly prior to mounting the bumper to the vehicle with the manufacture hardware

Driver Side Shown

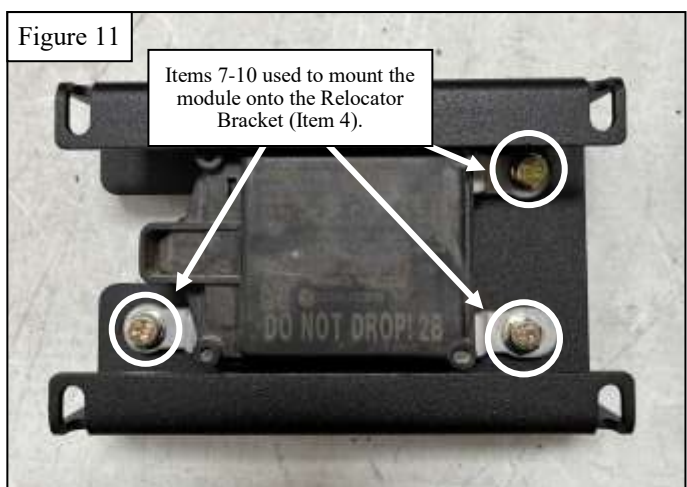
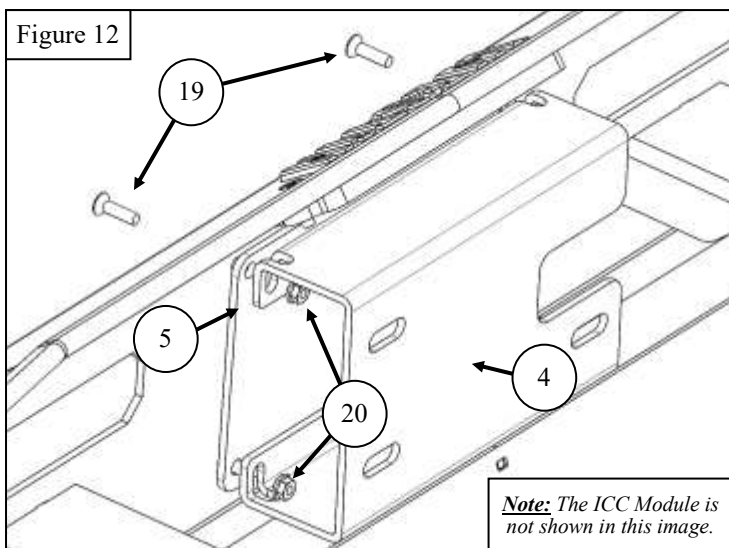


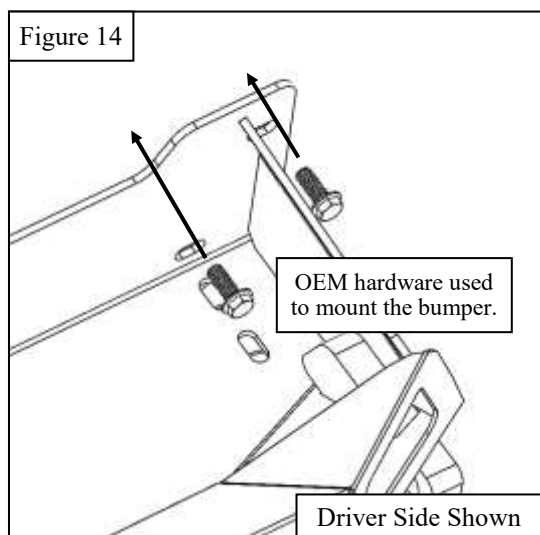
Figure 11

Items 7-10 used to mount the module onto the Relocator Bracket (Item 4).

10. Using the supplied M4 hardware (Items 19-20), mount the ICC Relocator Bracket, module, and ICC Module Shield, as shown in **Figures 12 & 13**. **Note:** It is important to mount the ICC module center relative to the shield and bumper to avoid any module obstructions.



11. With assistance, mount the Pro Series Bumper assembly to the vehicle frame using the OEM hardware. See **Figures 14 & 15** for reference. **Note:** Make sure that there are no wires pinched between the mounting locations and the bumper assembly.
12. Reconnect the Intelligent Cruise Control module. **Note:** Make sure the wiring harness and connector are not pinched by the bumper assembly or any of the mounting brackets.



13. Carefully remove and separate the plastic fascia weldments along the bumper in order to isolate the upper fascia trim. Reinstall this trim to the vehicle. See **Figures 16 through 18** for reference. *Note: A Dremel or cutting tool and a heat gun may be used to trim these plastic weldments or a plastic pry tool may be used to separate them. Be VERY careful when separating these plastic weldments in order to avoid leaving openings in the fascia of the vehicle.*

Figure 16

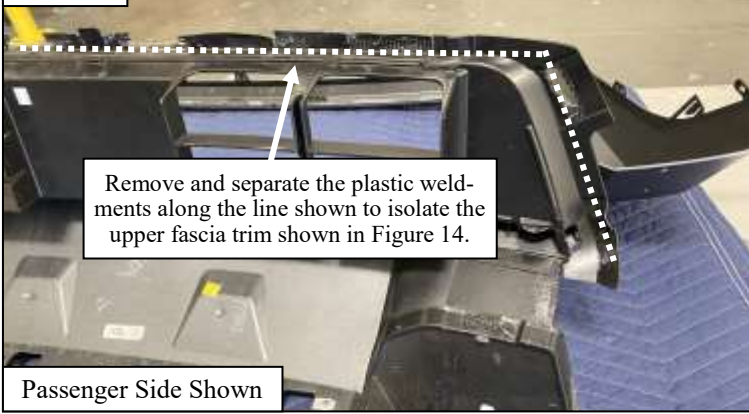


Figure 17



Figure 18



14. Locate and install the Driver and Passenger Side Support Brackets (Items 2 & 3) with the supplied M12 hardware to the frame tow hook mounting locations as shown in **Figures 19 & 20**. *Note: The fine thread M12 bolts will be used for the two hook locations and the course thread bolts will be used to mount the support brackets to the Pro Series Bumper.*

Figure 19

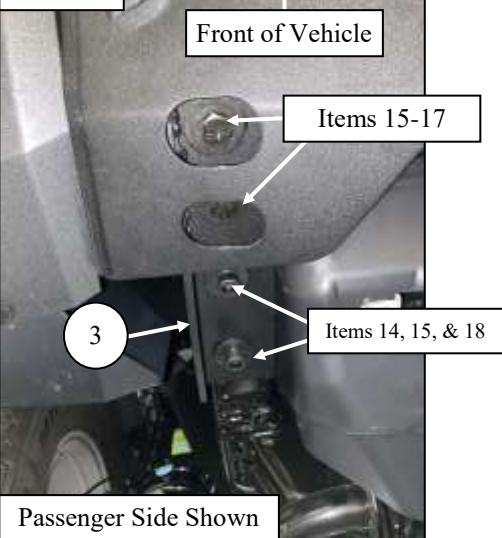
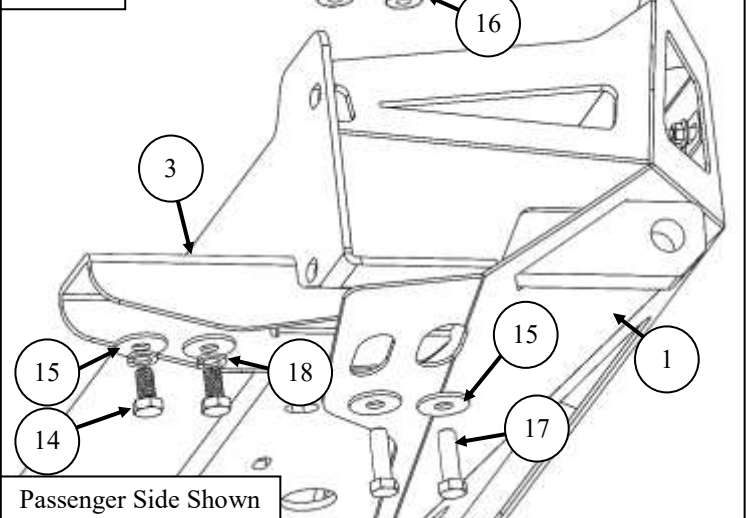


Figure 20



Westin Automotive Products, Inc.
320 W. Covina Blvd
San Dimas, Ca. 91773

Thank you for choosing Westin products
for additional installation assistance please call
Customer Service (800) 793-7846
www.westinautomotive.com

15. Reinstall the plastic retaining clips to the vehicle's fascia on both the driver and passenger side as shown in **Figure 21**.
16. Using the supplied M8 hardware, mount the OEM plastic undertray to the two mounting locations on the Pro Series bumper assembly as shown in **Figure 22**.

Figure 21

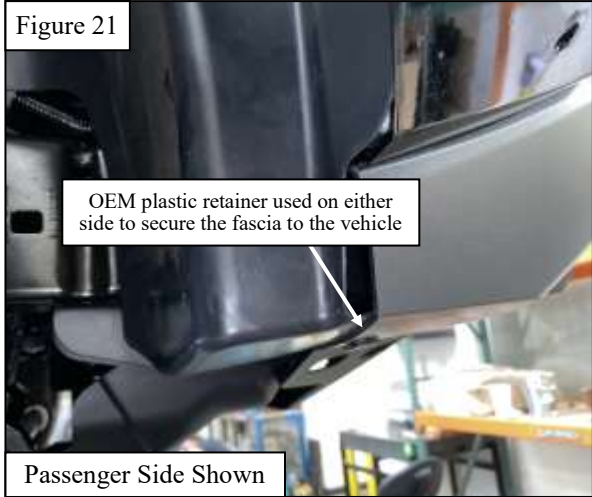
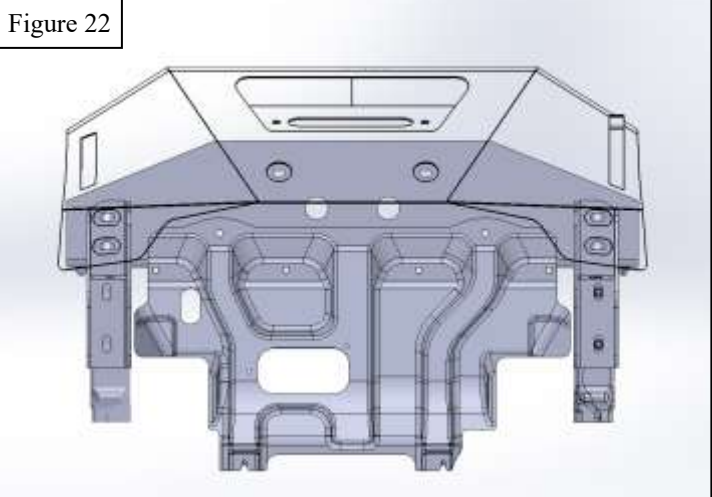


Figure 22



17. If your vehicle is equipped with a factory Pro4X skid plate, mount the skid plate brackets to the same hardware installed during **Step 14**. See **Figures 23 & 24** for reference.
18. Install factory Pro4X skid plate the on to the brackets as shown in **Figure 25**.
19. Align and adjust the Pro Series bumper as necessary. Tighten and torque the hardware as specified: M6 hardware to 7-9 ft.-lbs., M8 hardware to 15-18 ft.-lbs., M10 hardware to 35-38 ft.-lbs., and M12 hardware to 58-60 ft.-lbs.

Figure 23

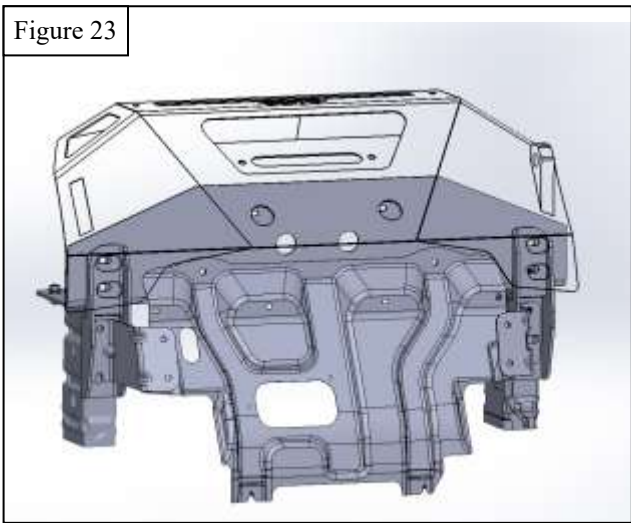


Figure 24

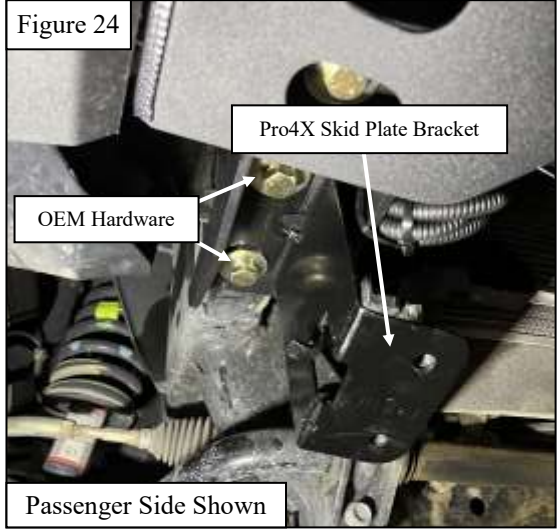


Figure 25



INSTALLATION COMPLETE



CARE INSTRUCTIONS

- REGULAR WAXING IS RECOMMENDED. DO NOT USE ANY TYPE OF POLISH OR WAX THAT MAY CONTAIN ABRASIVES.
- STAINLESS STEEL PRODUCTS CAN BE CLEANED WITH MILD SOAP AND WATER. STAINLESS STEEL POLISH SHOULD BE USED TO POLISH SMALL SCRATCHES.
- GLOSS BLACK FINISHES SHOULD BE CLEANED WITH MILD SOAP AND WATER.

WESTIN Westin Automotive Products, Inc.
320 W. Covina Blvd
San Dimas, Ca. 91773

Thank you for choosing Westin products
for additional installation assistance please call
Customer Service (800) 793-7846
www.westinautomotive.com



WARNING



Failure to follow these instructions could lead to death, personal injury, and / or property damage.

Failure to follow these instructions could lead to death, personal injury, and / or property damage.

FASTENERS:

All Westin supplied fasteners must be utilized and installed in accordance with the installation instructions and apply torque to the specifications as defined. **DOUBLE CHECK ALL FASTENERS BEFORE INITIAL USE, AND PERIODICALLY IN THE FUTURE TO ENSURE PROPER FUNCTION AND SAFETY.**

DRILLING:

Most Westin products do not require drilling for installation. If drilling is defined as required, use caution when drilling a vehicle. **FAILURE TO REVIEW AN AREA TO BE DRILLED MAY RESULT IN PERSONAL INJURY AND/OR INJURY TO OTHERS AS WELL AS VEHICLE DAMAGE.**

EYE PROTECTION:

ALWAYS WEAR SAFETY GLASSES OR GOGGLES DURING THE INSTALLATION PROCESS TO AVOID PERSONAL INJURY.

MAXIMUM TOWING/CARRYING CAPACITY: (if applicable)

The Westin Receiver Hitches will have a visible tow rating label affixed directly on the product. User should never exceed the vehicle manufacturers maximum tow and weight rating regardless of the capacity of the hitch. **FAILURE TO FOLLOW THESE GUIDELINES WILL VOID THE WESTIN WARRANTY AND MAY RESULT IN PERSONAL INJURY AND/OR INJURY TO OTHERS AS WELL AS VEHICLE DAMAGE.**

FOR CALIFORNIA RESIDENTS ONLY-PROP 65 WARNING:

Some products may contain chemicals such as DEHP, which can cause cancer, birth defects or other reproductive harm. For more info go to www.p65warnings.ca.gov



Westin Automotive Products, Inc.
320 W. Covina Blvd
San Dimas, Ca. 91773